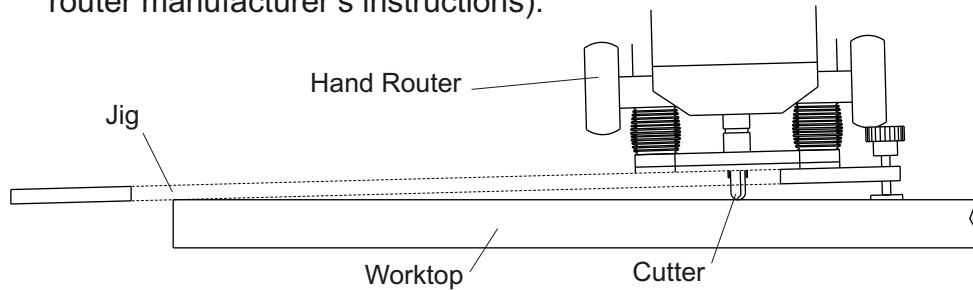


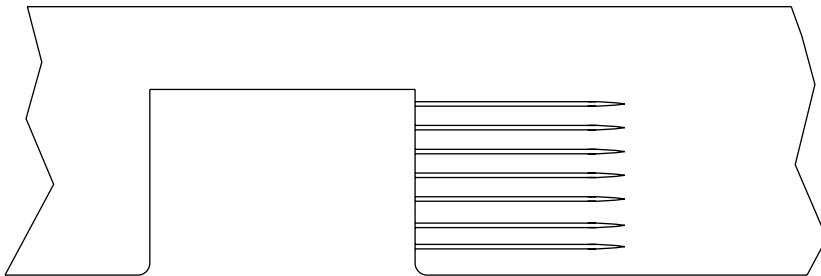
- 5 Plunge the router cutter so that the cutter touches the worktop. Set the depth stop of the router at this position (please refer to the router manufacturer's instructions).



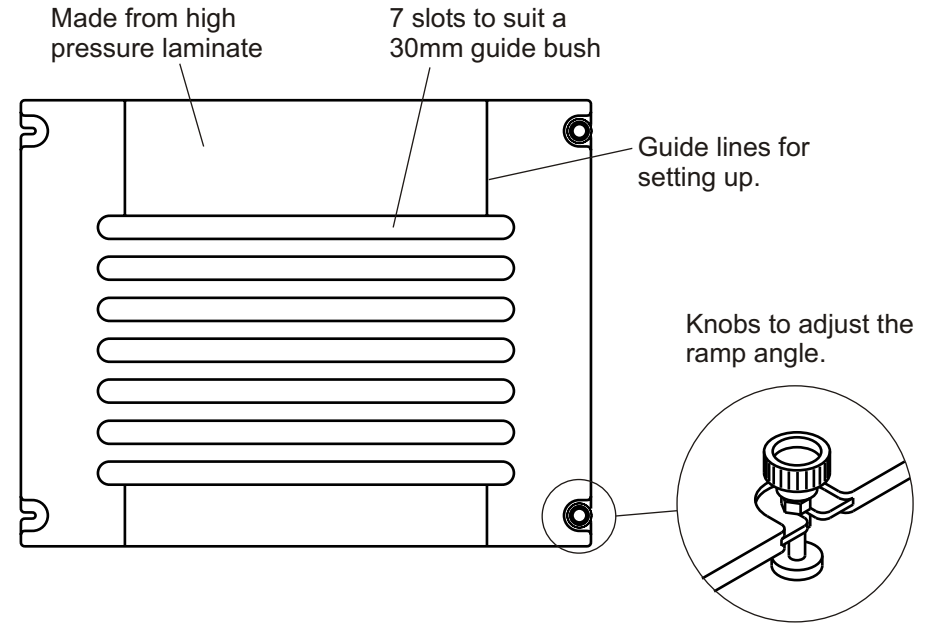
- 6 Continue to rout the drainage grooves into the worktop, making sure the router has fully stopped before retracting from the jig.

Note: Always cut from the shallow end to the deep end - for example, on a right hand drainer cut from right to left.

- 7 Sand out any sharp edges and seal the drainage grooves referring to the worktop manufacturers recommendation.



Drainer Jig Instructions



Please read the following points carefully before cutting:

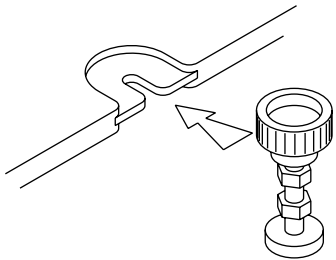
1. Before using the jig we recommend you practice with off-cuts of worktop or other materials to familiarize yourself with the jig.
2. Other equipment required to use the jig:
 - Hand router.
 - 30mm guide bush.
 - A 10mm Diameter Ball Nosed Cutter (or other diameter to suit preference.)
 - One pair of G-clamps.
3. Safety First
 - Always wear protective goggles when cutting.
 - Make sure the path of the router is clear of any obstacles.
 - Make sure the cable of the router is clear of the jig.
 - The jig should be properly clamped to the worktop and supported properly on a bench or trestle.
4. When cutting
 - Never withdraw the router from the jig whilst the cutter is in motion.

Drainage Groove Jig

- Easy to use.
- Minimal set up time.
- 500mm maximum drainage groove length.
- Ramp angle can be adjusted from 1° to 2°.
- Depth of groove can be adjusted from 7mm to 19mm.
- Use with a standard 30mm guide bush and ball nosed cutter.

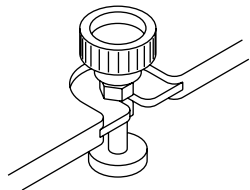
Setting Up

1



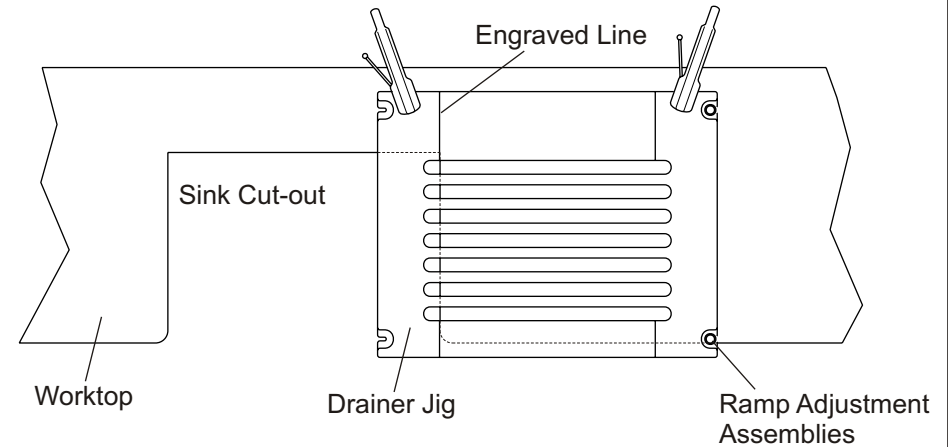
Insert the ramp adjustment assemblies into the relevant slots.

2



Turn the knob to adjust the ramp height. Tighten the nuts to secure the assemblies to the jig.

- 3 Position the jig onto the worktop. The diagram below shows the position for a right hand drainer. Align the engraved line with the edge of the sink cut out.



- 4 To set up the cutter depth, position the router within one of the slots in line with the engraved line furthest away from the sink cut out - see diagram below.

Note: Make sure the router is switched off.

